



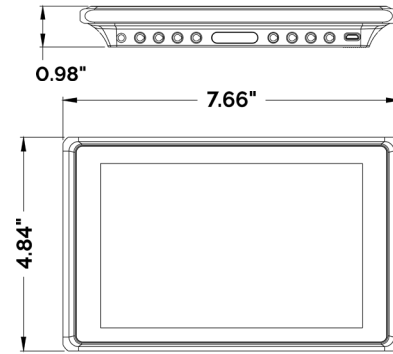
TOUCH

Spectrum Tunable Lighting Controller

✕ Craft to commercial, we grow better plants.



DIMENSIONS



STANDARD



FEATURES

- High resolution 1280 x 800 px, 7" LCD touch screen display.
- Two independently controlled outputs, each supporting up to 50 fixtures.
- 2pcs temperature and humidity sensor, 2pcs CO² sensor, and 2pcs PAR sensor can be connected externally.
- Flexible control modes: manual dimming, constant PAR dimming, temperature limiting dimming, and scheduled dimming.
- Cycle settings, simulation of sunrise/sunset, unique cloud modelling.

- Compatible with adjustable spectrum fixtures up to 3 channels.
- User-friendly VPD display helps set the optimal planting environment.
- Up to 16 weeks of scheduling.
- For more information visit cabatech.com to download the user manual.

WARRANTY & LISTINGS

- 1 year warranty
- >30,000 hr lifetime

ORDERING INFORMATION

Example: CTT-3CH-C-CARB

SERIES	CHANNELS	SENSORS	
CTT-3CH	3CH	CO ² PAR	CARB PAR



SPECIFICATIONS

Controller dimensions (L x W x H)	7.66" x 4.84" x 0.96"
Weight	1.46 lbs
Power supply	Adapter: 100V-240V AC 50/60hz - 12V DC (1000mA)
Maximum control output voltage	10.2V
Maximum load current	10.2V/50mA (channel/per)
Maximum cable length per port	150m (500ft)
Maximum number of ballasts per port	50 (100uA @load /per)
Total number of ballasts per controller	100 (100uA @load /per)
Enclosure protection level	IP20
Number of sensors that can be carried	6
External dimming analog output accuracy:	1%
Temperature accuracy	+/-0.3 °C
Humidity accuracy	+/-4%
Warranty (controller and sensor)	1 year
Lifetime	>30,000 h
Temperature range	0 - 40 °C
Operating humidity	<90%

